

CPV

60 Hz

Single inlet anti-corrosive centrifugal fans made of polypropylene



Fan:

- Polypropylene casing.
- Forward curved impeller in polypropylene.
- Maximum temperature of air to be carried: -25 °C +70 °C.

Motor:

- Motors with IE3 efficiency for powers equal to or greater than 0.75 kW, except single-phase, 2-speed and 8-pole.
- Class F motors with ball bearings and IP55 protection.
- Multi-voltage motor, special design valid for: 220/380 V 60 Hz, 254/440 V 60 Hz, 265/460 V 60 Hz, 277/480 V 60 Hz.
- Working temperature: -25 °C +50 °C.

Finish:

- Anti-corrosive in plastic material.

On request:

- Special windings for different voltages.
- Category 2 ATEX certification (see CPV/ATEX series).

Order code

CPV	—	1942	—	4	T	—	10	60 Hz
↓		↓		↓	↓		↓	
CPV: Single inlet anti-corrosive centrifugal fans made of polypropylene		Impeller size		Number of motor poles 2=3500 r/min 60 Hz 4=1800 r/min 60 Hz 6=1100 r/min 60 Hz	T = Three-phase		Motor power (HP)	

Technical characteristics

Model	Speed (r/min)	Maximum admissible current (A)		Installed power (kW)	Maximum flow rate (m³/h)	Sound pressure level¹ dB (A) Inlet	Approx. weight (Kg)
		220-277V	380-480V				
CPV-720-2T	3410	1.92	1.11	0.37	525	65	10
CPV-815-2T	3370	1.92	1.11	0.37	950	65	14
CPV-815-4T	1630	1.66	0.96	0.25	450	48	14
CPV-825-2T	3420	4.03	2.32	1.10	1140	69	17
CPV-930-2T	3455	7.32	4.21	2.20	1750	74	24
CPV-1020-2T	3360	2.80	1.61	0.75	2000	71	20
CPV-1020-4T	1630	1.66	0.96	0.25	1250	55	20
CPV-1325-2T	3420	7.32	4.21	2.20	3250	79	27
CPV-1325-4T	1630	2.02	1.17	0.37	2300	61	27
CPV-1325-6T	1055	1.51	0.87	0.25	1400	51	27
CPV-1630-4T	1705	5.41	3.11	1.50	4500	69	35
CPV-1630-6T	1090	2.99	1.73	0.55	2700	57	35
CPV-1840-4T	1705	10.70	6.15	3.00	6000	64	48
CPV-1840-6T	1080	4.68	2.69	1.10	4200	59	42
CPV-1942-4T-7.5	1740		10.30	5.50	8335	75	66
CPV-1942-4T-10	1740		13.90	7.50	10500	80	77
CPV-1942-6T	1115	9.48	5.49	2.20	7000	71	49
CPV-2045-4T	1740		13.90	7.50	10400	72	102

1. The noise level values are pressures in dB(A) measured at a distance of 3 metres in a free field.



Erp. (Energy Related Products)

Information on Directive 2009/125/EC can be downloaded from the SODECA website or the QuickFan selector programme.

Acoustic characteristics

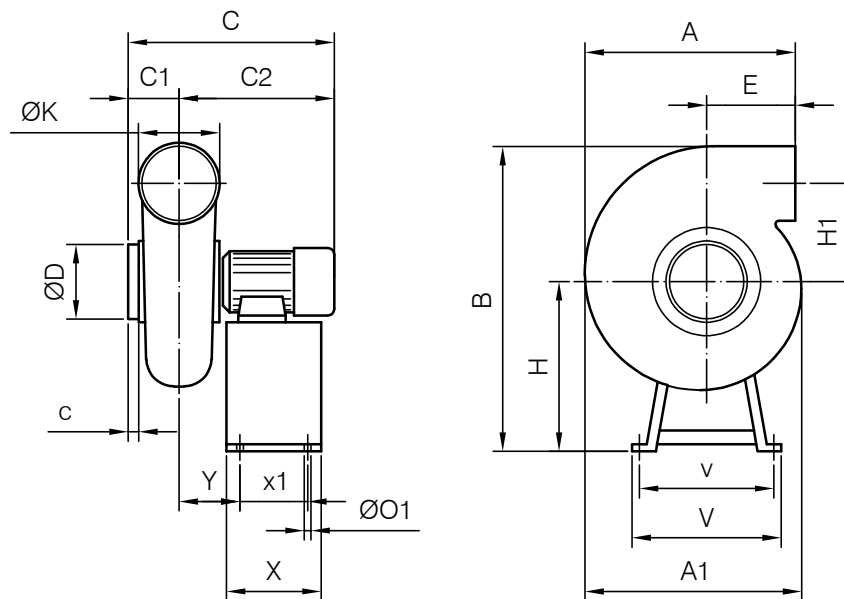
The values given are obtained under laboratory conditions according to ISO 3744.

Sound power spectrum Lw(A) in dB(A) per Hz frequency band
Values measured at inlet with maximum flow rate

	63	125	250	500	1000	2000	4000	8000		63	125	250	500	1000	2000	4000	8000
720-2T	56	69	77	81	81	77	73	65	1325-6T	42	55	63	67	68	64	60	51
815-2T	56	69	77	81	81	77	73	65	1630-4T	60	73	81	85	86	82	78	69
815-4T	39	52	60	64	64	60	56	48	1630-6T	48	61	69	73	74	70	66	57
825-2T	60	73	81	85	85	81	77	69	1840-4T	55	68	76	80	81	77	73	64
930-2T	65	78	86	90	90	86	82	74	1840-6T	50	63	71	75	76	72	68	59
1020-2T	62	75	83	87	87	83	79	71	1942-4T-7.5	75	85	87	90	89	89	87	78
1020-4T	46	59	67	71	71	67	63	55	1942-4T-10	80	90	92	95	94	94	92	83
1325-2T	70	83	91	95	96	92	88	79	1942-6T	71	81	83	86	85	85	83	74
1325-4T	52	65	73	77	78	74	70	61	2045-4T	63	76	84	88	89	85	81	72

Dimensions mm

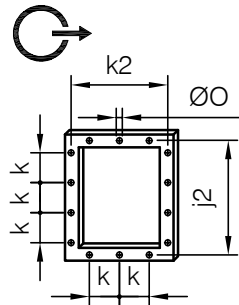
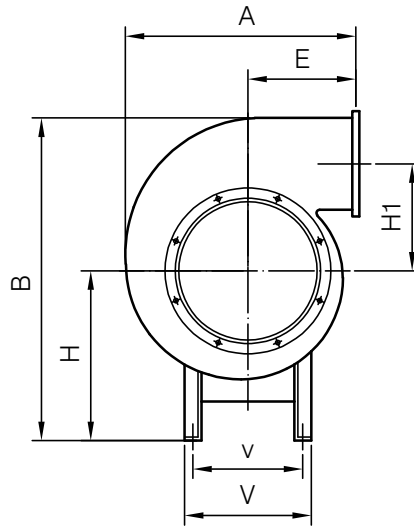
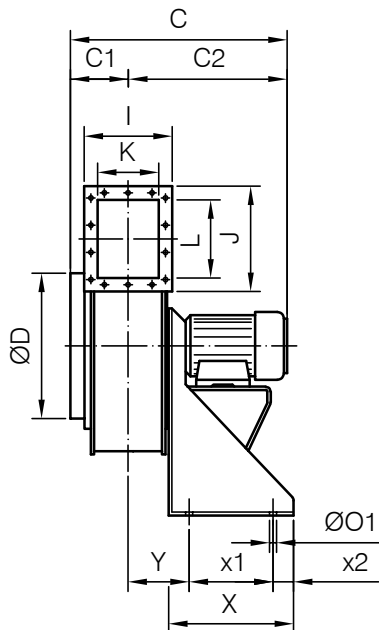
CPV-720...1942



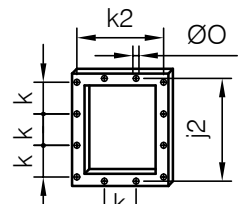
	A	A1	B	C	C1	C2	c	ØD	E	H	H1	ØK	ØO1	V	v	X	x1	Y
CPV-720-2T	375	-	486	350	80	270	45	90	212	311	130	90	6	340	320	180	160	92
CPV-815-2T	307	335	521	360	100	260	30	125	100	281	177.5	125	8	355	335	180	160	90
CPV-815-4T	307	335	521	360	100	260	30	125	100	281	177.5	125	8	355	335	180	160	90
CPV-825-2T	445	-	552	433	110	323	55	125	218	320	170	125	6	340	320	180	160	103
CPV-930-2T	540	-	678	477	100	377	40	160	262	390	205	160	6	420	400	240	160	137
CPV-1020-2T	340	397	593	445.5	116	329.5	32	160	100	290	223	160	8	355	335	180	160	127.5
CPV-1020-4T	340	397	584	422.5	116	306.5	32	160	100	281	223	160	8	355	335	180	160	122.5
CPV-1325-2T	413	505	735	494	130	364	35	200	103	370	265	200	8	400	380	180	160	125
CPV-1325-4T	413	505	716	432.5	130	302.5	35	200	103	351	265	200	8	400	380	180	160	113.5
CPV-1325-6T	413	505	716	432.5	130	302.5	35	200	103	351	265	200	8	400	380	180	160	113.5
CPV-1630-4T	480	602	890	536.5	145	391.5	35	250	117	440	323	250	8	450	430	240	220	142.5
CPV-1630-6T	480	602	880	503	145	358	35	250	117	430	323	250	8	450	430	240	220	138
CPV-1942-4T	580	750	1170	730.5	210	520.5	60	315	130	600	412.5	315	8	600	564	350	314	181.5
CPV-1942-6T	580	750	1150	679.5	210	469.5	60	315	130	580	412.5	315	8	600	564	350	314	204

Dimensions mm

CPV-1840...2045



CPV-2045



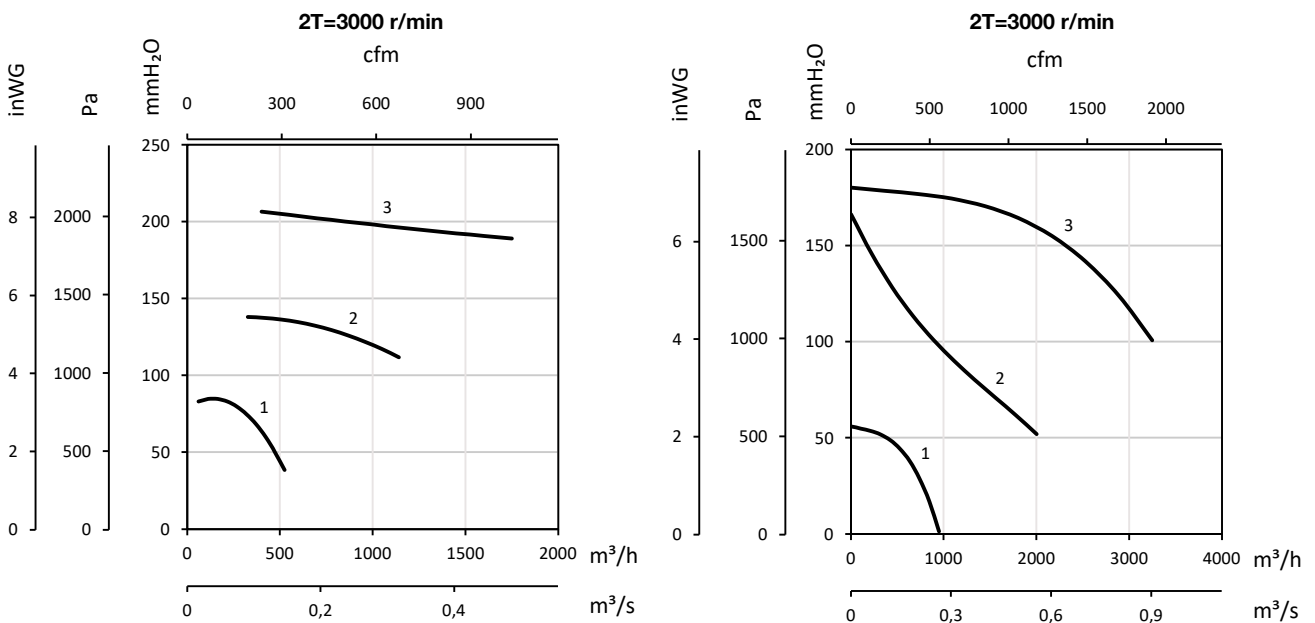
CPV-1840

	A	B	C	C1	C2	ØD	E	H	H1	I	J	j2	K	k	k2	L	Ø0	Ø01	V	v	X	x1	x2	Y
CPV-1840-4T	628	819	660	210	450	355	275	420	259	305	356	326	225	100	275	280	9	12	320	285	300	200	50	170
CPV-1840-6T	628	809	630	210	420	355	275	410	259	305	356	326	225	100	275	280	9	12	320	285	300	200	50	170
CPV-2045-4T	724	1020	810	245	565	400	300	542	310	362	421	381	270	100	322	335	9	12	350	315	350	250	50	197

Characteristic curves

Q= Flow rate in m³/h, m³/s and cfm

Pe= Static pressure in mm H₂O, Pa and inwg



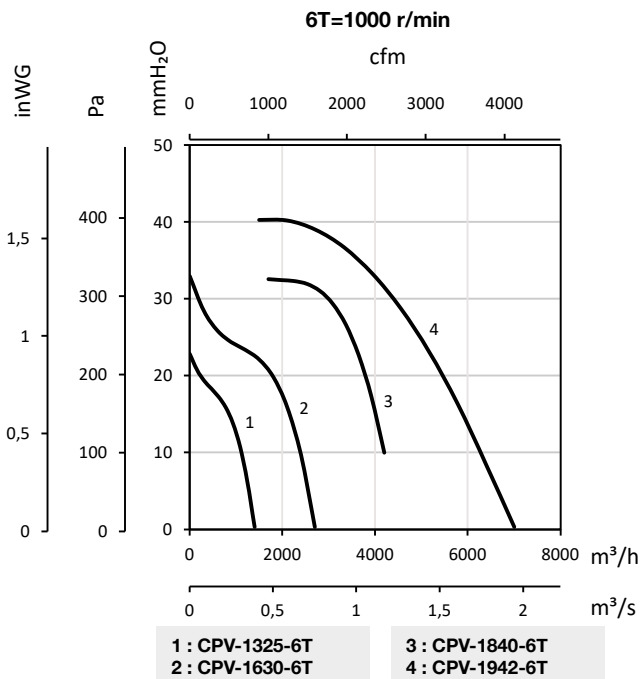
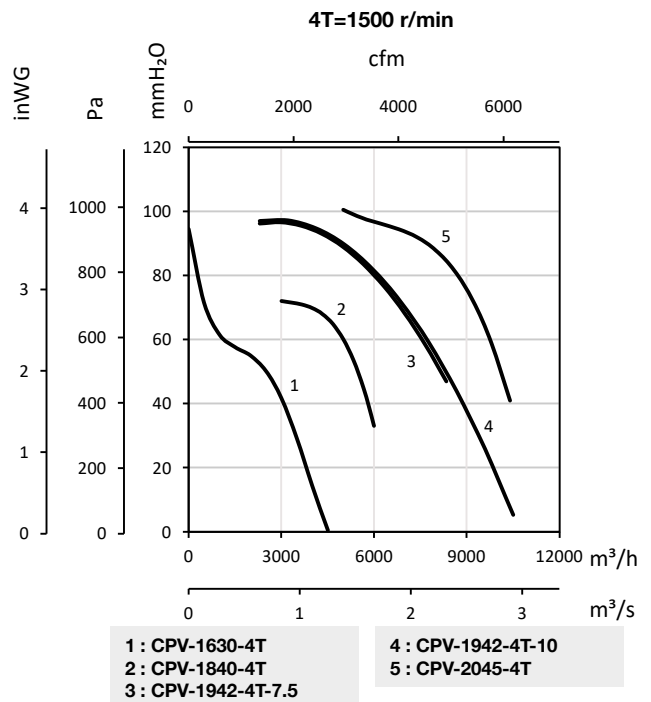
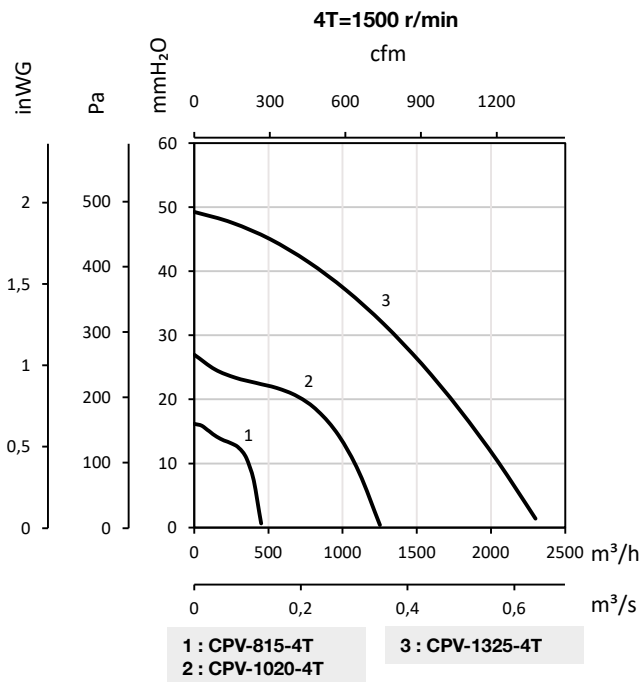
1 : CPV-720-2T
2 : CPV-825-2T
3 : CPV-930-2T

1 : CPV-815-2T
2 : CPV-1020-2T
3 : CPV-1325-2T

Characteristic curves

Q= Flow rate in m³/h, m³/s and cfm

Pe= Static pressure in mm H₂O, Pa and inwg



Accessories



Orientations

Standard supply LG 90.

Positions LG 180, RD 180, LG 270 and RD 270 on request with special anchoring measurements.

