

# CMP/MAR

**Centrifugal medium-pressure fans fitted with multi-blade impeller for marine application**



Centrifugal single-inlet, medium-pressure fans with casing and sheet steel impeller for operating in marine environments, fitted with motors suitable for marine service

**Fan:**

- Steel sheet casing
- Impeller with forward-facing blades made from galvanised sheet steel
- Intake ring in sheet steel

**Motor:**

- Motors for class F marine service, IP55 protection, complying with classification for non-essential naval service.
- IE3 efficiency for 7.5kW and larger motors. Except single-phase, 2 speed and 8 pole motors
- Three phase, 50Hz, 230/400V motors up to and including 4kW. 400/690V over 4kW
- Max. air temperature to transport: -20°C.+ 120°C.

**On request:**

- Hot galvanised steel finish
- Made from stainless steel
- Special windings for different electrical supplies and frequencies
- ATEX construction for different categories
- Built-in motors with PTC
- Marine motors for naval applications with certification for essential service by various classifying societies (BV, DNV, LR)
- Finish surface quality C4H, C5M
- IE2 and IE3 efficiency motors assembled on any unit

**Finish:**

- Anti-corrosive finish in polyester resin, polymerised at 190°C after phosphate free pre-treatment
- Finish surface quality C3H

The marine motors used may be certified by most international marine classification bodies:

ABS: American Bureau of Shipping

DNV: Det Norske Veritas

NK: Nippon Kaiji Kyokai

BV: Bureau Veritas

GL: Germanischer Lloyd

RINA: Registro Italiano Navale

CCS: China Classification Societies

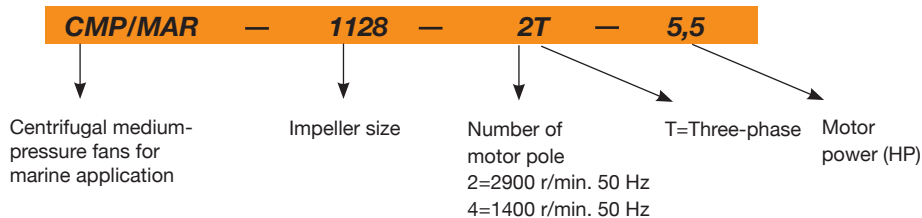
KR: Korean Register of Shipping

RS: Russian Maritime Register of Shipping

CR: China Corporation Register of Shipping

LR: Lloyd's Register of Shipping

### Order code



### Technical characteristics

Model	Speed (r/min)	Maximum admissible current (A)			Installed power (kW)	Maximum airflow (m³/h)	Sound pressure level dB(A)	Approx. weight with motor (Kg)
		230V	400V	690V				
CMP/MAR-616-2T	2760	2.57	1.49	0.55	1380	69	9	
CMP/MAR-616-4T	1320	0.96	0.56	0.12	850	61	9	
CMP/MAR-620-2T	2710	1.92	1.11	0.37	765	68	11	
CMP/MAR-620-4T	1320	0.96	0.56	0.12	810	61	9	
CMP/MAR-718-2T	2770	2.78	1.60	0.75	1485	70	14	
CMP/MAR-718-4T	1350	1.66	0.96	0.25	1280	63	11	
CMP/MAR-820-2T	2860	4.20	2.40	1.10	1950	73	18	
CMP/MAR-820-4T	1350	1.66	0.96	0.25	1670	66	12	
CMP/MAR-922-2T-1.5	2860	4.20	2.40	1.10	1650	70	23	
CMP/MAR-922-2T-2	2770	5.44	3.13	1.50	2010	71	24	
CMP/MAR-922-2T-3	2885	7.77	4.47	2.20	2600	74	27	
CMP/MAR-922-4T	1380	2.92	1.69	0.55	2450	66	20	
CMP/MAR-1025-2T-3	2885	7.77	4.47	2.20	2100	73	29	
CMP/MAR-1025-2T-4	2900	10.18	5.88	3.00	2830	77	34	
CMP/MAR-1025-4T	1400	4.03	2.32	1.10	3400	70	27	

**Technical characteristics**

Model	Speed (r/min)	Maximum admissible current (A)			Installed power (kW)	Maximum airflow (m³/h)	Sound pressure level dB(A)	Approx. weight with motor (Kg)
		230V	400V	690V				
CMP/MAR-1128-2T-4	2900	10.18	5.88		3.00	2220	77	37
CMP/MAR-1128-2T-5.5	2870	13.60	7.82		4.00	3210	81	41
CMP/MAR-1128-4T	1445	8.36	4.83		2.20	5000	74	37
CMP/MAR-1231-4T-3	1445	8.36	4.83		2.20	4740	73	46
CMP/MAR-1231-4T-4	1445	10.96	6.33		3.00	5910	75	49
CMP/MAR-1231-4T-5.5	1440	14.10	8.12		4.00	6850	77	53
CMP/MAR-1435-4T-4	1445	10.96	6.33		3.00	5560	76	54
CMP/MAR-1435-4T-5.5	1440	14.10	8.12		4.00	6260	78	61
CMP/MAR-1435-4T-7.5	1460		10.60	6.10	5.50	7210	80	74
CMP/MAR-1640-4T-5.5	1440	14.10	8.12		4.00	7000	77	79
CMP/MAR-1640-4T-7.5	1460		10.60	6.10	5.50	8035	80	92
CMP/MAR-1640-4T-10 IE3	1465		13.90	8.06	7.50	9710	82	116
CMP/MAR-1845-4T-7.5	1460		10.60	6.10	5.50	8000	82	94
CMP/MAR-1845-4T-10 IE3	1465		13.90	8.06	7.50	10000	85	118
CMP/MAR-2050-4T-10 IE3	1465		13.90	8.06	7.50	9000	83	151
CMP/MAR-2050-4T-15 IE3	1470		20.90	12.10	11.00	12525	87	187
CMP/MAR-2050-4T-20 IE3	1465		27.90	16.20	15.00	16500	89	198

**Acoustic features**

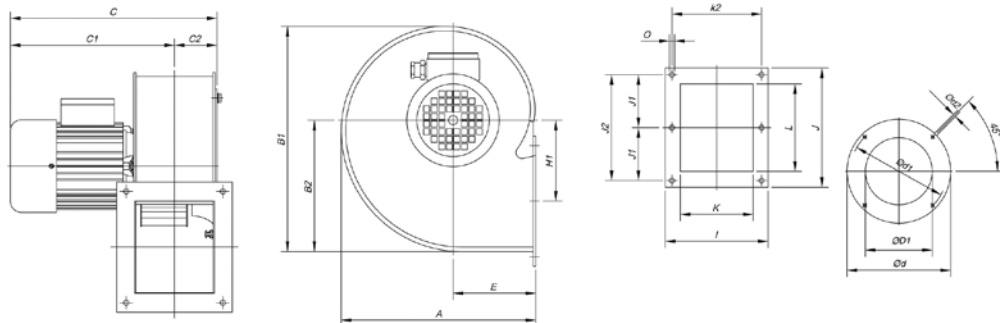
The specified values are determined according to free field measurements of pressure and sound levels in dB(A) at an equivalent distance of twice the fan's span plus the turbine's diameter, with a minimum of 1.5 m.

Sound power Lw(A) spectrum in dB(A) via frequency band in Hz.

Model	Lp dB (A)	63	125	250	500	1000	2000	4000	8000	Model	Lp dB (A)	63	125	250	500	1000	2000	4000	8000
CMP/MAR-616-2T	69	44	54	65	72	76	73	71	64	CMP/MAR-1128-2T-5.5	81	56	66	77	84	88	85	83	76
CMP/MAR-616-4T	61	36	46	57	64	68	65	63	56	CMP/MAR-1128-4T	74	49	59	70	77	81	78	76	69
CMP/MAR-620-2T	68	43	53	64	71	75	72	70	63	CMP/MAR-1231-4T-3	73	51	60	71	78	82	80	78	71
CMP/MAR-620-4T	61	36	46	57	64	68	65	63	56	CMP/MAR-1231-4T-4	75	53	62	73	80	84	82	80	73
CMP/MAR-718-2T	70	45	55	66	73	77	74	72	65	CMP/MAR-1231-4T-5.5	77	55	64	75	82	86	84	82	75
CMP/MAR-718-4T	63	38	48	59	66	70	67	65	58	CMP/MAR-1435-4T-4	76	54	63	74	81	85	83	81	74
CMP/MAR-820-2T	73	48	58	69	76	80	77	75	68	CMP/MAR-1435-4T-5.5	78	56	65	76	83	87	85	83	76
CMP/MAR-820-4T	66	41	51	62	69	73	70	68	61	CMP/MAR-1435-4T-7.5	80	58	67	78	85	89	87	85	78
CMP/MAR-922-2T-1.5	70	45	55	66	73	77	74	72	65	CMP/MAR-1640-4T-5.5	77	55	64	75	82	86	84	82	75
CMP/MAR-922-2T-2	71	46	56	67	74	78	75	73	66	CMP/MAR-1640-4T-7.5	80	58	67	78	85	89	87	85	78
CMP/MAR-922-2T-3	74	49	59	70	77	81	78	76	69	CMP/MAR-1640-4T-10	82	60	69	80	87	91	89	87	80
CMP/MAR-922-4T	66	41	51	62	69	73	70	68	61	CMP/MAR-1845-4T-7.5	82	61	71	82	89	93	91	89	81
CMP/MAR-1025-2T-3	73	48	58	69	76	80	77	75	68	CMP/MAR-1845-4T-10	85	64	74	85	92	96	94	92	84
CMP/MAR-1025-2T-4	77	52	62	73	80	84	81	79	72	CMP/MAR-2050-4T-10	83	62	72	83	90	94	92	90	82
CMP/MAR-1025-4T	70	45	55	66	73	77	74	72	65	CMP/MAR-2050-4T-15	87	66	76	87	94	98	96	94	86
CMP/MAR-1128-2T-4	77	52	62	73	80	84	81	79	72	CMP/MAR-2050-4T-20	89	68	78	89	96	100	98	96	88

**Dimensions in mm**

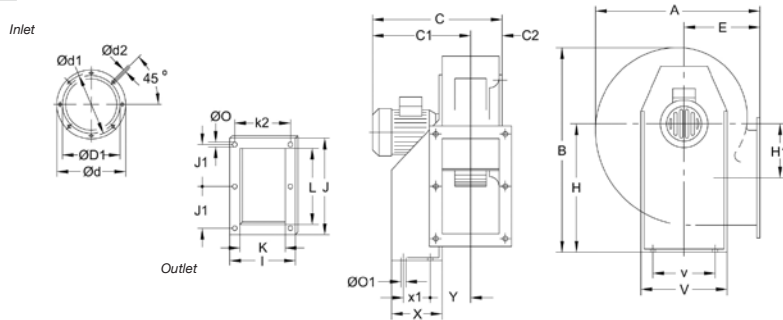
**CMP/MAR-616...820**



Model	A	B1	B2	C	C1	C2	ØD1*	Ød	Ød1	Ød2	E	H1	I	J	J1	J2	K	k2	L	ØO
CMP/MAR-616-2T	258	297	173.5	320	264	56	160	204	180	M6	110	105.5	153	172	-	147	103	128	122	7
CMP/MAR-616-4T	258	297	173.5	283	227	56	160	204	180	M6	110	105.5	153	172	-	147	103	128	122	7
CMP/MAR-620-2T	298	347	202.5	321	265	56	200	247	230	M6	126	145.5	159	153	-	128	105	134	100	8
CMP/MAR-620-4T	298	347	202.5	283	227	56	200	247	230	M6	126	145.5	159	153	-	128	105	134	100	8
CMP/MAR-718-2T	303.5	348	201	355	294	61	180	238	210	M6	129.5	122	169	192	85	170	115	145	146	9
CMP/MAR-718-4T	303.5	348	201	331	270	61	180	238	210	M6	129.5	122	169	192	85	170	115	145	146	9
CMP/MAR-820-2T	322	377	223	369.5	301	68.5	200	247	230	M6	137.5	137	184	213	94.5	189	130	160	156	9
CMP/MAR-820-4T	322	377	223	345.5	277	68.5	200	247	230	M6	137.5	137	184	213	94.5	189	130	160	156	9

Dimensions in mm

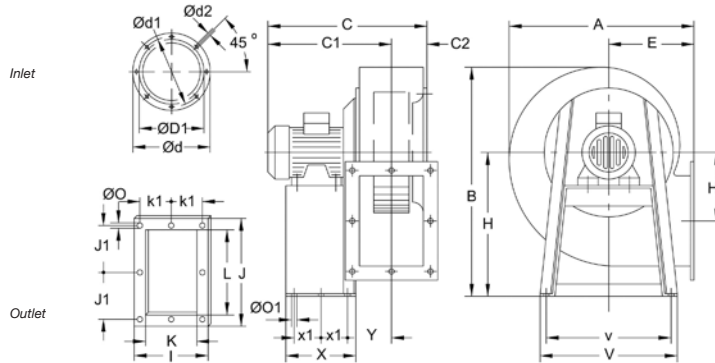
CMP/MAR-922...1231



Model	A	B	C	C1	C2	øD1*	ød	ød1	ød2	E	H	H1	I	J	J1	K	k2	L	øO	øO1	V	v	X	x1	Y
CMP/MAR-922-2T-1'5	388.5	455	382.5	309	73.5	224	278	256	M8	180	280	134	204	282.5	128	140	180	215	9.5	10.5	290	220	114	50	105
CMP/MAR-922-2T-2	388.5	455	430.5	357	73.5	224	278	256	M8	180	280	134	204	282.5	128	140	180	215	9.5	10.5	290	220	114	50	105
CMP/MAR-922-2T-3	388.5	455	430.5	357	73.5	224	278	256	M8	180	280	134	204	282.5	128	140	180	215	9.5	10.5	290	220	114	50	105
CMP/MAR-922-4T	388.5	455	382.5	309	73.5	224	278	256	M8	180	280	134	204	282.5	128	140	180	215	9.5	10.5	290	220	114	50	105
CMP/MAR-1025-2T-3	427	503	456	370	86	250	305	282	M8	197	310	144	229	312.5	145	165	205	250	9.5	12.5	315	228	134	74	115.5
CMP/MAR-1025-2T-4	427	503	486	400	86	250	305	282	M8	197	310	144	229	312.5	145	165	205	250	9.5	12.5	315	228	134	74	115.5
CMP/MAR-1025-4T	427	503	456	370	86	250	305	282	M8	197	310	144	229	312.5	145	165	205	250	9.5	12.5	315	228	134	74	115.5
CMP/MAR-1128-2T-4	472	553	500.5	407	93.5	280	348	320	M8	216	340	152	244	364	170	180	220	296.5	9.5	12.5	348	245	144	95	122.5
CMP/MAR-1128-2T-5'5	472	553	523.5	430	93.5	280	348	320	M8	216	340	152	244	364	170	180	220	296.5	9.5	12.5	348	245	144	95	122.5
CMP/MAR-1128-4T	472	553	500.5	407	93.5	280	348	320	M8	216	340	152	244	364	170	180	220	296.5	9.5	12.5	348	245	144	95	122.5
CMP/MAR-1231-4T-3	526	630	520.5	417	103.5	315	382	354	M8	238	390	179.5	264	382.5	180	200	240	320	11.5	13	382	322	183	140	126
CMP/MAR-1231-4T-4	526	630	520.5	417	103.5	315	382	354	M8	238	390	179.5	264	382.5	180	200	240	320	11.5	13	382	322	183	140	126
CMP/MAR-1231-4T-5'5	526	630	543.5	440	103.5	315	382	354	M8	238	390	179.5	264	382.5	180	200	240	320	11.5	13	382	322	183	140	126

\* Recommended nominal diameter for duct.

CMP/MAR-1435...2050



Model	A	B	C	C1	C2	øD1*	ød	ød1	ød2	E	H	H1	I	J	J1	K	k1	L	øO	øO1	V	v	X	X1	Y
CMP/MAR-1435-4T-4	573.5	715	549	431	118	355	422	394	M8	250	445	242.5	292	342.5	159	228	133	280	11.5	12	456	420	333	136.5	150
CMP/MAR-1435-4T-5'5	573.5	715	572	454	118	355	422	394	M8	250	445	242.5	292	342.5	159	228	133	280	11.5	12	456	420	333	136.5	150
CMP/MAR-1435-4T-7'5	573.5	715	610	492	118	355	422	394	M8	250	445	242.5	292	342.5	159	228	133	280	11.5	12	456	420	333	136.5	150
CMP/MAR-1640-4T-5'5	634	799	596	465	130	400	464	438	M8	270	495	271	336	404	185	250	150	321	11.5	12	500	460	327	133.5	162.5
CMP/MAR-1640-4T-7'5	634	799	634	504	130	400	464	438	M8	270	495	271	336	404	185	250	150	321	11.5	12	500	460	327	133.5	162.5
CMP/MAR-1640-4T-10	634	799	634	504	130	400	464	438	M8	270	495	271	336	404	185	250	150	321	11.5	12	500	460	327	133.5	162.5
CMP/MAR-1845-4T-7'5	711	901	668	521	147	450	515	485	M8	302	560	305	370	444	202	284	164	361	11.5	12	538	502	340	140	179.5
CMP/MAR-1845-4T-10	711	901	668	521	147	450	515	485	M8	302	560	305	370	444	202	284	164	361	11.5	12	538	502	340	140	179.5
CMP/MAR-2050-4T-10	797	987	700.5	538	162.5	500	565	535	M10	345	610	313	411	544	250	315	182.5	451	11.5	12	653	615	435	188	196
CMP/MAR-2050-4T-15	797	987	805.5	643	162.5	500	565	535	M10	345	610	313	411	544	250	315	182.5	451	11.5	12	653	615	435	188	196
CMP/MAR-2050-4T-20	797	987	805.5	643	162.5	500	565	535	M10	345	610	313	411	544	250	315	182.5	451	11.5	12	653	615	435	188	196

\* Recommended nominal diameter for duct.

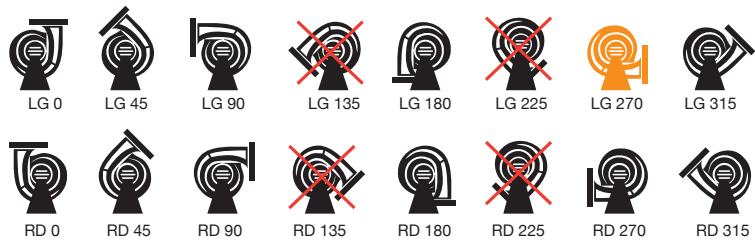
**Characteristic curves**

See page 162

**Positions**

LG 270 standard supply

LG 180 and RD 180 positions on request and with special fixing measures.



**Accessories**

See accessories section.

