

# SDECB/M

**Centrifugal fans especially designed for extracting hot air at a max. temperature of 80 °C and water vapour from extract hoods with a vertical air outlet**

**Especially designed for bread and pastry ovens as well as industrial ovens**



**Fan:**

- Sheet steel casing.
- Forward curved impeller in galvanized sheet steel.
- Directly coupled motor with B-5 flange.

**Motor:**

- Motors with IE3 efficiency for powers equal to or greater than 0.75kW, except single-phase, 2-speed and 8-pole.
- IP55 protection.
- Three-phase 230/400 V 50 Hz (up to 4 kW) and 400/690 V 50 Hz (powers greater than 4 kW).
- Maximum temperature of air to be carried: -25 °C +80 °C.

**Finishing:**

- Anticorrosive with temperature resistant anticaloric paint, aluminum color.

**On request:**

- Special windings for different voltages.
- Stainless steel fan.



On request: stainless steel fan

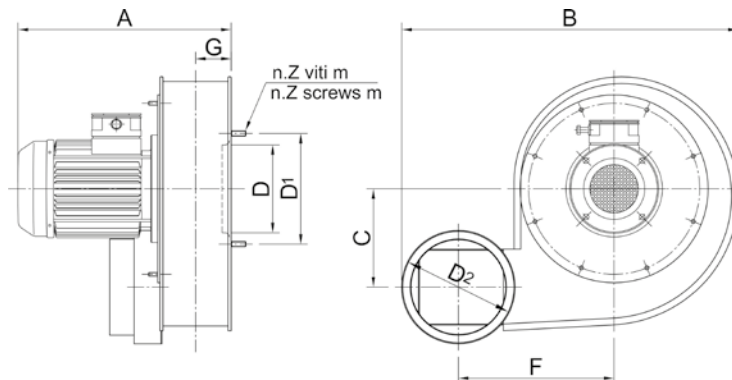
## Characteristics

MOD.	kW	r.p.m	dB/A	CAPACITY (m <sup>3</sup> /s)												
				0.017	0.03	0.06	0.07	0.08	0.1	0.12	0.13	0.16	0.17	0.18	0.2	0.23
				TOTAL PRESSURE ( mmH <sub>2</sub> O)												
SDECB/M-160-2T-0.5	0.37	2800	60					35	36	37	38	39	40	40	37	35
SDECB/M-160-4T-0.33	0.25	1350	49	9	9	10	10	9	8	7						
SDECB/M-230-4T-0.33	0.25	1350	58					28	29	29	30	31	30	29	28	27
SDECB/M-230-6T-0.33	0.25	890	49				14	15	15	15	16	15	15	14	13	

MOD.	kW	r.p.m	dB/A	CAPACITY (m <sup>3</sup> /s)												
				0.18	0.2	0.23	0.27	0.3	0.33	0.38	0.42	0.47	0.53	0.58	0.67	
				TOTAL PRESSURE ( mmH <sub>2</sub> O)												
SDECB/M-250-4T-0.5	0.37	1350	60			40	42	43	44	45	45	40	35			
SDECB/M-300-4T-0.5	0.37	1350	65					47	49	50	50	51	50	48	43	
SDECB/M-300-6T-0.33	0.25	890	49	20	20	22	23	24	24	23	22					

Flow margin ±5%  
Noise level margin +3...5 db

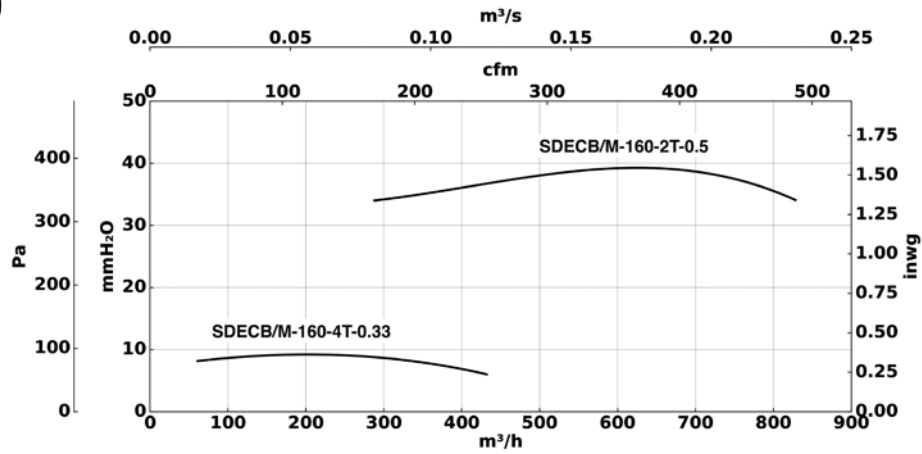
## Dimensions mm



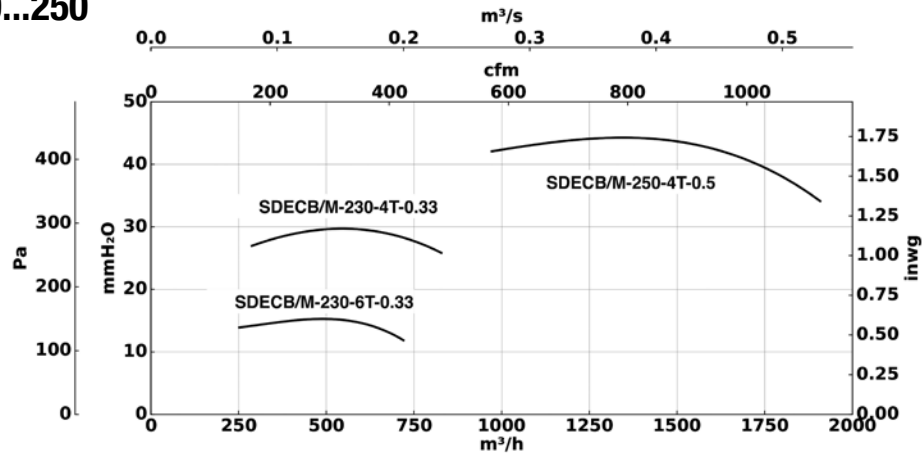
MOD.	FRAME	kW	r.p.m	A	B	C	F	G	D	D1	m	n.Z	D2	Kg
SDECB/M-160-2T-0.5	71A2	0.37	2800	330	400	120	173	59	128	220	M5	6	137	10
SDECB/M-160-4T-0.33	71A4	0.25	1350	330	400	120	173	59	128	220	M5	6	137	10
SDECB/M-230	71A4	0.25	1350	295	500	150	227	53	130	165	M8	6	160	15
SDECB/M-250-4T-0.5	71B4	0.37	1350	400	540	170	238	60	145	195	M8	6	176	18
SDECB/M-300-4T-0.5	71B4	0.37	1350	435	665	200	285	82	192	250	M8	6	250	20
SDECB/M-300-6T-0.33	71B6	0.25	890	435	665	200	285	82	192	250	M8	6	250	20

## Characteristic curves

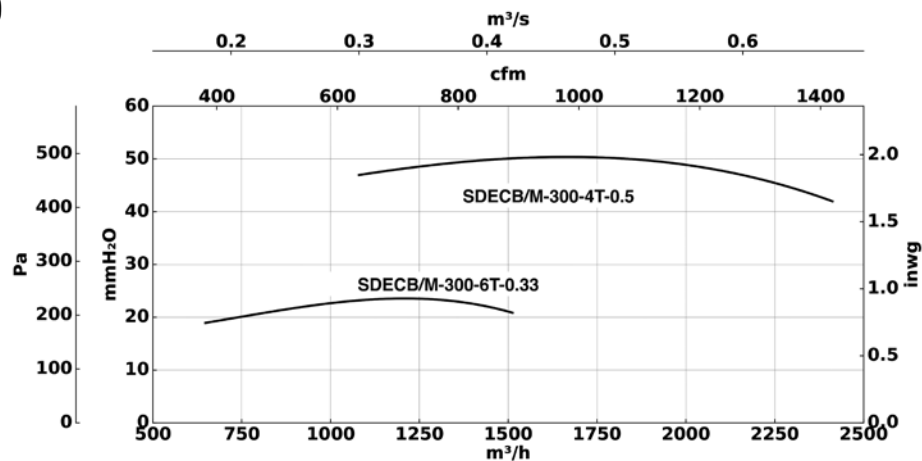
### SDECB/M 160



### SDECB/M 230...250



### SDECB/M 300



Total pressure

Flow margin  $\pm 5\%$

Noise level margin +3...5 db

Margin of kW absorbed  $\pm 3\%$