

HTMF/IE5

Multifunctional roof extractors 400 °C/2h with ultra-high efficiency IE5 motor



Multifunctional roof extractors 400 °C/2h with ultra-high efficiency IE5 motor, suitable for operation in fire-risk zones, designed for smoke evacuation in industrial buildings or similar facilities.

Fan:

- Support base in painted galvanised steel sheet.
- Adjustable cast aluminum impeller.
- Protection grid against contacts according to UNE-EN ISO 12499.
- Cap in painted galvanised steel sheet, with natural air outlet.
- Certified according to EN 12101-3, F400 classification.

Motor:

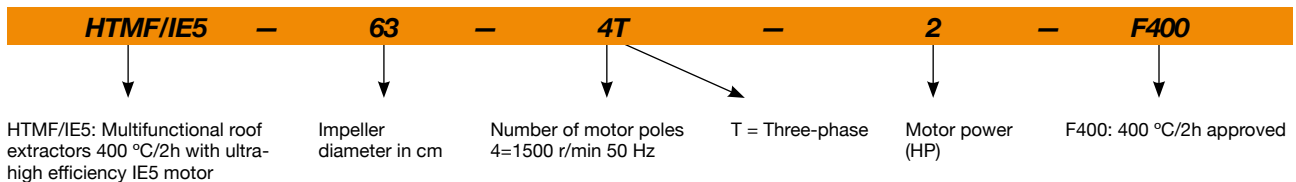
- Class H motors for continuous use (S1) and emergency use (S2). With ball bearings, IP55 protection, and single speed.
- IE5 efficiency motors.
- Three-phase 230/400 V 50 Hz (up to 3 kW) and 400/690 V 50 Hz (powers greater than 3 kW).
- Maximum air temperature: Service S1 -25 °C to +40 °C continuously, also suitable for hot climates up to 50 °C. Service S2 400 °C/2h.

Finish:

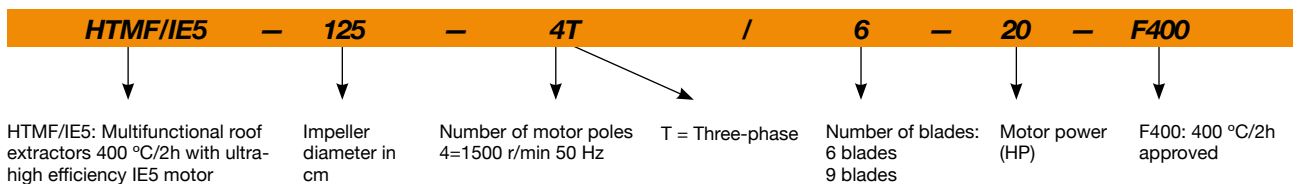
- Anti-corrosive finish in polyester resin, polymerised at 190 °C, after degreasing with phosphate-free nanotechnology treatment.

Order code

From size 56 to size 100



Size 125



Technical characteristics

Model	Speed (r/min)	Maximum admissible current (A)			Installed power (kW)	Maximum flow rate (m ³ /h)	Sound pressure level ¹ dB (A)		Approx. weight (Kg)
		230V	400V	690V			Inlet	Exhaust	
HTMF/IE5-56-4T-1	1495	2.89	1.66		0.75	10640	54	51	82
HTMF/IE5-56-4T-1.5	1495	4.12	2.37		1.10	11525	55	52	79
HTMF/IE5-63-4T-1.5	1495	4.12	2.37		1.10	13930	57	54	94
HTMF/IE5-63-4T-2	1495	5.34	3.07		1.50	15630	58	55	102
HTMF/IE5-63-4T-3	1495	7.65	4.40		2.20	18045	59	56	112
HTMF/IE5-71-4T-2	1495	5.34	3.07		1.50	16365	61	58	115
HTMF/IE5-71-4T-3	1495	7.65	4.40		2.20	18490	63	60	126
HTMF/IE5-71-4T-4	1495	10.23	5.88		3.00	22685	64	61	146
HTMF/IE5-80-4T-4	1495	10.23	5.88		3.00	27750	65	62	176
HTMF/IE5-80-4T-5.5	1495		7.78	4.51	4.00	30325	66	63	166
HTMF/IE5-90-4T-5.5	1495		7.78	4.51	4.00	35200	71	68	211
HTMF/IE5-90-4T-7.5	1495		10.60	6.14	5.50	38535	73	70	253
HTMF/IE5-90-4T-10	1495		14.20	8.23	7.50	41410	74	71	264
HTMF/IE5-100-4T-7.5	1495		10.60	6.14	5.50	41060	76	73	278
HTMF/IE5-100-4T-10	1495		14.20	8.23	7.50	47645	77	74	289
HTMF/IE5-100-4T-15	1495		20.20	11.70	11.00	51375	78	75	376
HTMF/IE5-125-4T/6-15	1495		20.20	11.70	11.00	66810	69	66	432
HTMF/IE5-125-4T/6-20	1495		27.10	15.70	15.00	72900	69	66	464
HTMF/IE5-125-4T/9-20	1495		27.10	15.70	15.00	76320	68	64	479

¹ The noise level values are pressures in dB(A) measured at a distance of 10 metres in a free field.

Acoustic characteristics

The values given are obtained under laboratory conditions according to ISO 3744.
Sound power spectrum Lw(A) in dB(A) per Hz frequency band

Values measured at inlet with maximum flow rate

	63	125	250	500	1000	2000	4000	8000
56-4-1	46	67	74	79	82	78	71	60
56-4-1.5	47	68	75	80	83	79	72	61
63-4-1.5	49	70	77	82	85	81	74	63
63-4-2	50	71	78	83	86	82	75	64
63-4-3	51	72	79	84	87	83	76	65
71-4-2	53	74	81	86	89	85	78	67
71-4-3	55	76	83	88	91	87	80	69
71-4-4	56	77	84	89	92	88	81	70
80-4-4	57	78	85	90	93	89	82	71
80-4-5.5	58	79	86	91	94	90	83	72
90-4-5.5	63	84	91	96	99	95	88	77
90-4-7.5	65	86	93	98	101	97	90	79
90-4-10	66	87	94	99	102	98	91	80
100-4-7.5	68	89	96	101	104	100	93	82
100-4-10	69	90	97	102	105	101	94	83
100-4-15	70	91	98	103	106	102	95	84
125-4/6-15	63	72	87	94	97	91	85	81
125-4/6-20	63	72	87	94	97	91	85	81
125-4/9-20	62	71	87	93	95	89	84	80

Values measured at exhaust with maximum flow rate

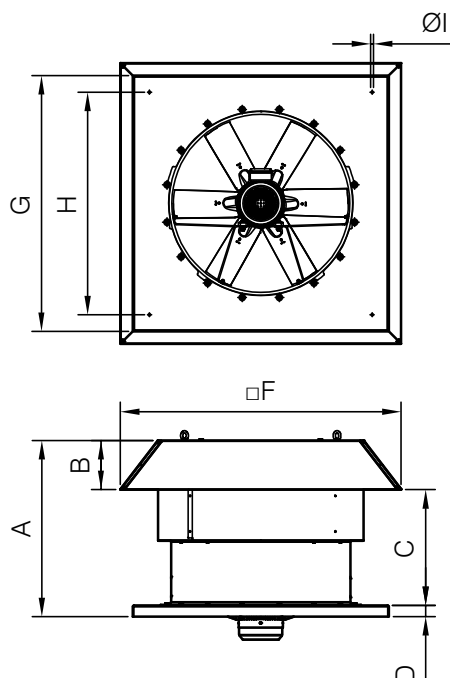
	63	125	250	500	1000	2000	4000	8000
56-4-1	43	64	71	76	79	75	68	57
56-4-1.5	44	65	72	77	80	76	69	58
63-4-1.5	46	67	74	79	82	78	71	60
63-4-2	47	68	75	80	83	79	72	61
63-4-3	48	69	76	81	84	80	73	62
71-4-2	50	71	78	83	86	82	75	64
71-4-3	52	73	80	85	88	84	77	66
71-4-4	53	74	81	86	89	85	78	67
80-4-4	54	75	82	87	90	86	79	68
80-4-5.5	55	76	83	88	91	87	80	69
90-4-5.5	60	81	88	93	96	92	85	74
90-4-7.5	62	83	90	95	98	94	87	76
90-4-10	63	84	91	96	99	95	88	77
100-4-7.5	65	86	93	98	101	97	90	79
100-4-10	66	87	94	99	102	98	91	80
100-4-15	67	88	95	100	103	99	92	81
125-4/6-15	60	69	84	91	94	88	82	78
125-4/6-20	60	69	84	91	94	88	82	78
125-4/9-20	59	68	84	90	92	86	81	77



Erp. (Energy Related Products)

Information on Directive 2009/125/EC can be downloaded from the SODECA website or the QuickFan selector programme.

Dimensions mm

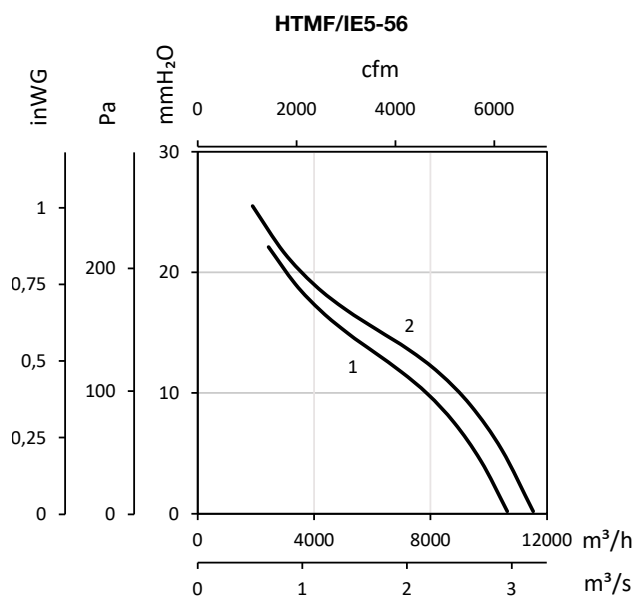


	A	B	C	D	F	G	H	ØI
HTMF/IE5-56	650	185	425	40	960	900	750	14
HTMF/IE5-63	680	215	425	40	1092	1000	850	14
HTMF/IE5-71	759	195	524	40	1123	1000	850	14
HTMF/IE5-80	789	215	524	50	1252	1150	1000	14
HTMF/IE5-90	919	231	638	50	1380	1150	1000	14
HTMF/IE5-100	1054	255	749	50	1530	1250	1100	14
HTMF/IE5-125	1170	311	809	50	1803	1425	1275	17

Characteristic curves

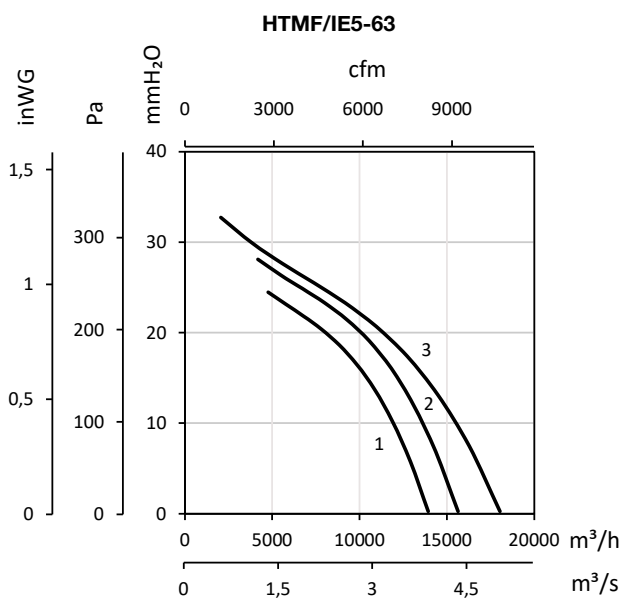
Q= Flow rate in m³/h, m³/s and cfm

Pe= Static pressure in mm H₂O, Pa and inwg



1 : HTMF/IE5-56-4T-1

2 : HTMF/IE5-56-4T-1.5



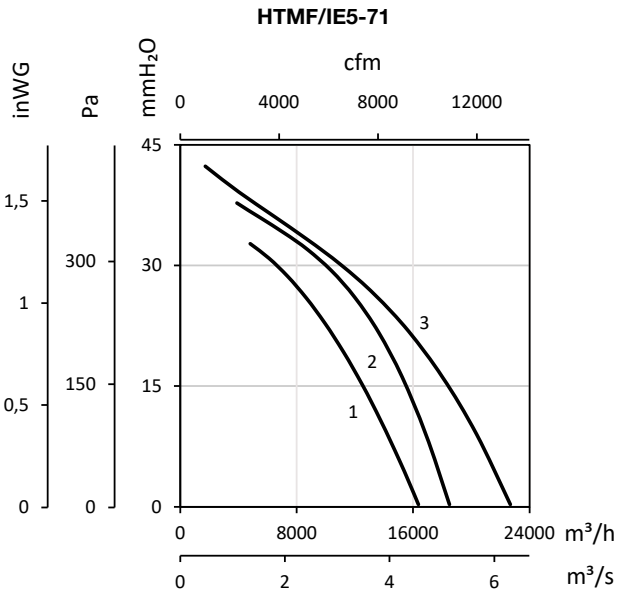
1 : HTMF/IE5-63-4T-1.5
2 : HTMF/IE5-63-4T-2

3 : HTMF/IE5-63-4T-3

Characteristic curves

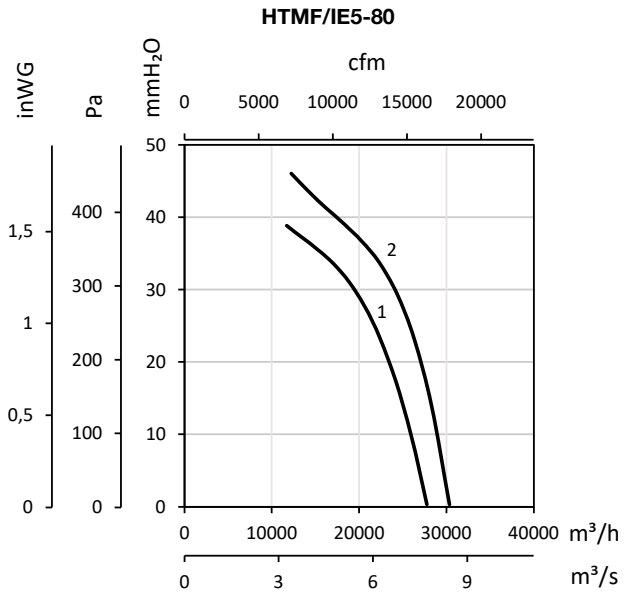
Q= Flow rate in m³/h, m³/s and cfm

Pe= Static pressure in mm H₂O, Pa and inwg



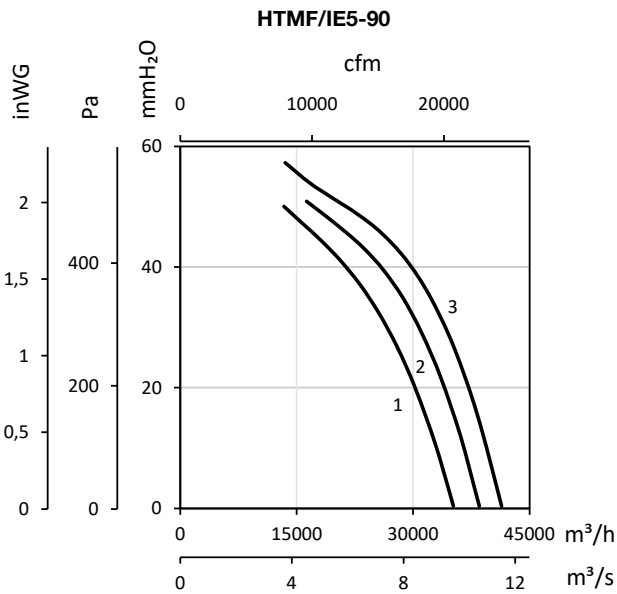
1 : HTMF/IE5-71-4T-2
2 : HTMF/IE5-71-4T-3

3 : HTMF/IE5-71-4T-4



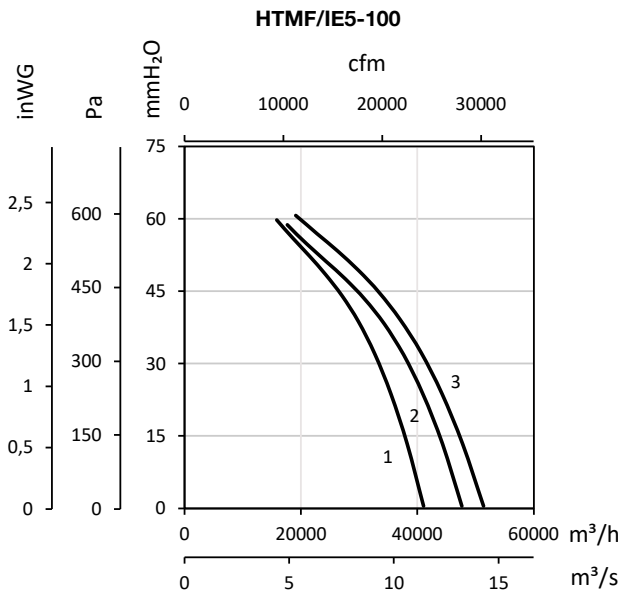
1 : HTMF/IE5-80-4T-4

2 : HTMF/IE5-80-4T-5.5



1 : HTMF/IE5-90-4T-5.5
2 : HTMF/IE5-90-4T-7.5

3 : HTMF/IE5-90-4T-10

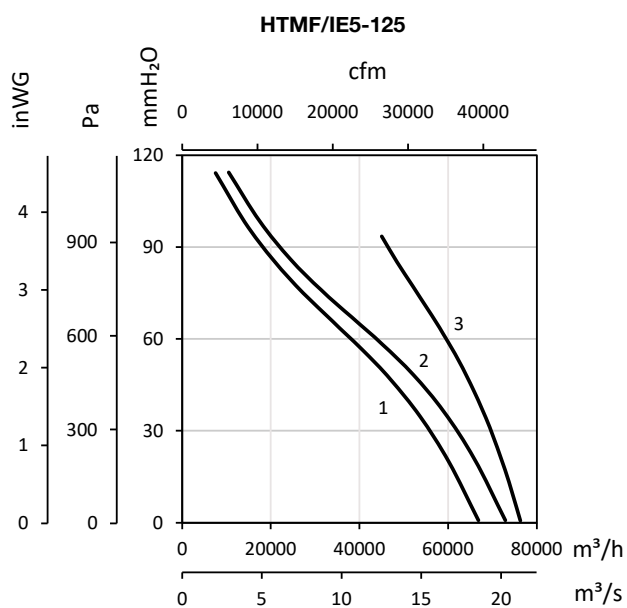


1 : HTMF/IE5-100-4T-7.5
2 : HTMF/IE5-100-4T-10

3 : HTMF/IE5-100-4T-15

Characteristic curves

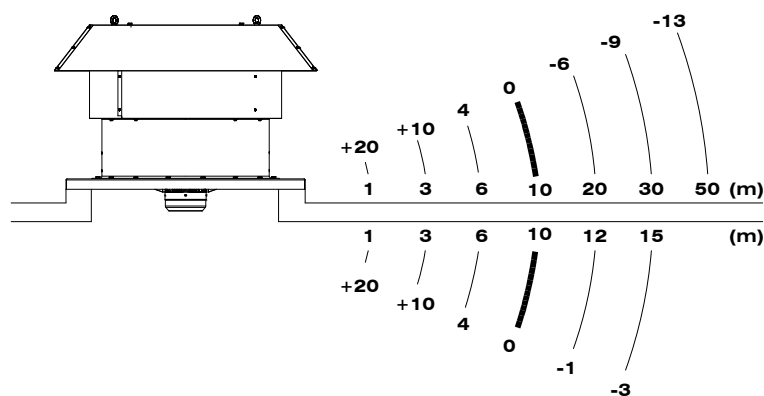
Q= Flow rate in m³/h, m³/s and cfm Pe= Static pressure in mm H₂O, Pa and inwg



- 1 : HTMF/IE5-125-4T/6-15**
- 3 : HTMF/IE5-125-4T/9-20**
- 2 : HTMF/IE5-125-4T/6-20**

Sound pressure variation depending on distance

The noise level may vary depending on the roof or tile structure.



Accessories

