

# WALL/FLAP

*Aluminum gate with motorised opening*



Suitable for installation in industrial buildings or commercial facilities. It can be used for room ventilation.

#### Characteristics:

- Very robust aluminum structure able to withstand extreme weather conditions.
- Designed to ensure watertightness.
- Aluminum profile with thermal bridge break.
- Central ceiling and structure equipped with high performance thermal insulation.
- Thermal resistance of the assembly less than 0.89 W/m<sup>2</sup>·K.
- Position indicators in both positions (open and closed).
- Upper and lower opening mounting versions.
- Manual opening system (Utility model ES 1 259 375 U).
- Airborne acoustic insulation value according to UNE-EN ISO 10140-2: Rw = 27 (0;-2) dB.

#### Finish:

- Anti-corrosive in extruded aluminum.
- RAL 7016 supplied as standard. Any other RAL can be supplied on demand.
- A decorative frame weighing up to 25 kg can be screwed on to the hinged models.

#### Actuator:

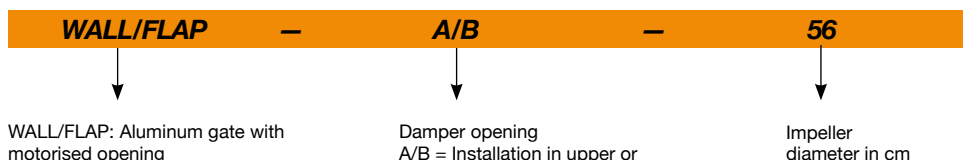
- Reliability greater than 20,000 dual cycles.
- Supply voltage at 230 V AC 50/60 Hz.
- Working temperature: -25 °C +60 °C.
- Protection at the leading edge when closing the damper.
- The stop in the closed position is regulated by an electronic limit switch.

#### On request:

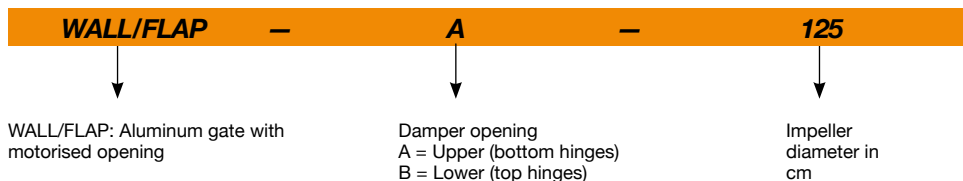
- Actuator with 24 V DC supply voltage.

## Order code

From size 40 to size 56

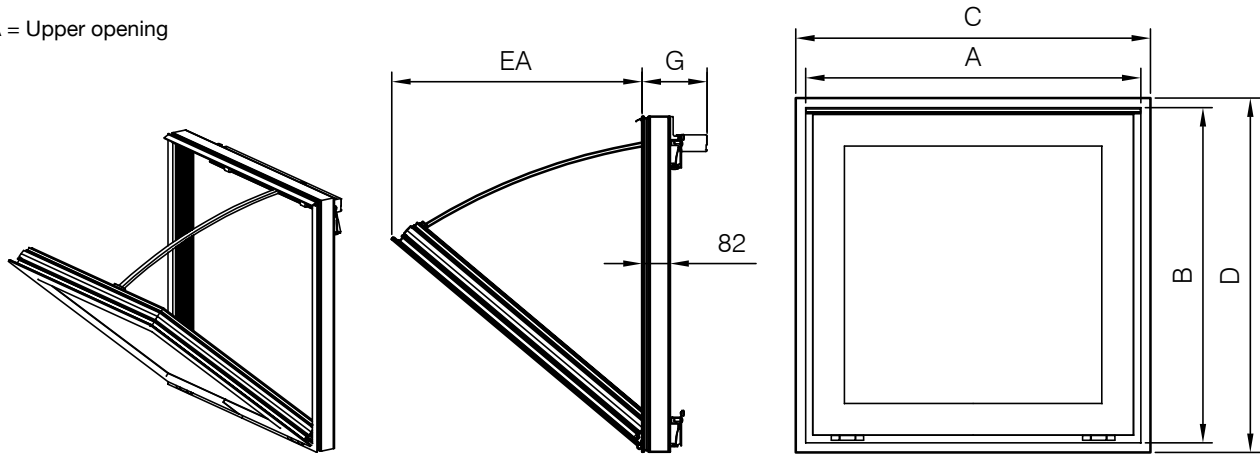


From size 63 to size 125

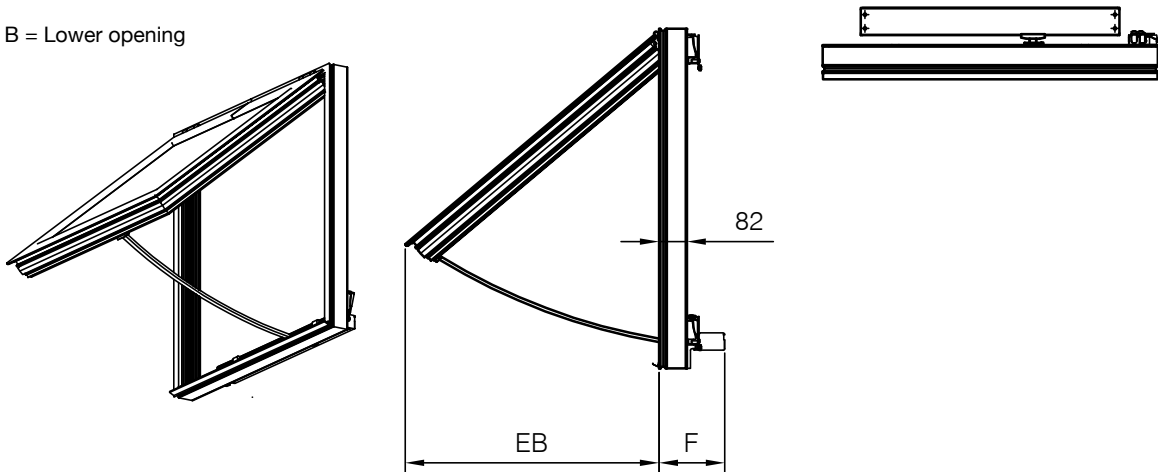


**Dimensions mm**

A = Upper opening



B = Lower opening



	A	B	C	D	EA	EB	F	G	Approx. weight (Kg)	Applicable to
WALL/FLAP-40-45	640	590	650	600	460	460	160	160	12	Diameters 40 and 45
WALL/FLAP-50-56	690	690	700	700	551	551	160	160	14	Diameters 50 and 56
WALL/FLAP-63-71-80	990	990	1000	1000	875	875	185	240	22	Diameters 63, 71 and 80
WALL/FLAP-90-100	1190	1190	1200	1200	922	922	185	240	27	Diameters 90 and 100
WALL/FLAP-125	1490	1490	1500	1500	1176	955	185	240	42	Diameters 125

(C x D) Nominal size of the wall opening.  
 FA is the opening when the damper is upper opening.  
 FB is the opening when the damper is lower opening.